

showers

trevi therm exposed mkII

A fast reaction, fail-safe thermostatic shower mixer with built-in 40°C safety stop.

Suitable for balanced and unbalanced, high and low pressure water systems.

Fits standard pipe centres. Suitable for rising or falling pipe supplies

- Domestic and hotel use
- Balanced and unbalanced systems
- Built-in safety stop
- TMV3 approved

**Illustrated**

A3200AA Trevi Therm exposed MkII thermostatic shower mixer with bottom outlet for concealed or exposed pipework, chromium plated
A4004AA Top outlet, chromium plated

Material

Cast brass body

Weight

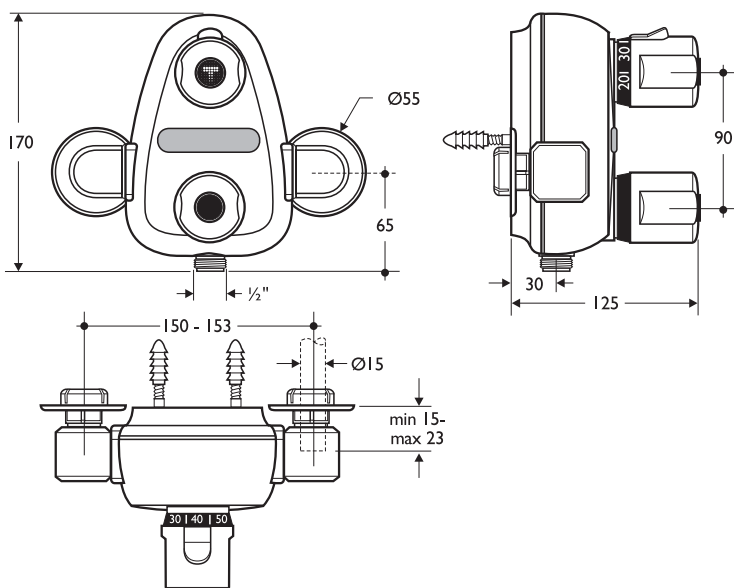
4.5kg

Standards

BS EN1287:1999 and WRAS approved
Meets the requirements of the NHS model engineering specification - D08 for Type 3 valves
TMV3 Thermostatic mixing valve scheme approved

Special notes

Suitable for hand spray with sliding bar (EV kit) or fixed riser shower kit. Suitable for rising or falling pipework.
Inlets 1/2in BSP male coned for 15mm copper, outlet 1/2in BSP male



TMV Thermostatic Mixing Valve Scheme approved
Meeting the requirements of the NHS Model Engineering Specification - D08 for Type 3 valves